

PARKING LOT PRACTICES

David Flaugher
Flynn Brothers Contracting



Topics

- Evaluation
 - Application
 - Stability
 - Drainage, Drainage, Drainage
- Presentation
 - Maximum is Minimum
- Communication with Field
- Construction
 - Sound Practices

Evaluation Application

- What should it be designed to support?
- Route of High Axle Weight Vehicles (garbage, water trucks etc...)

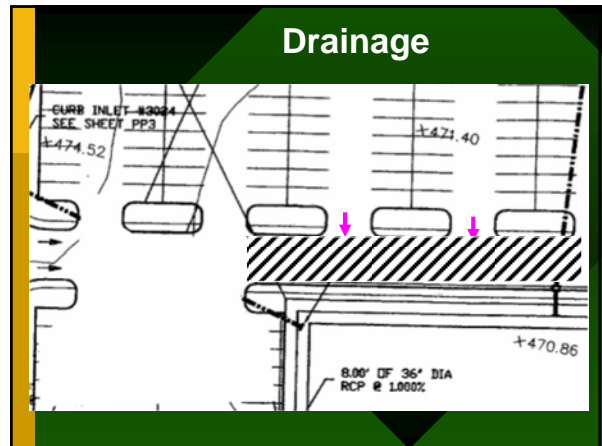
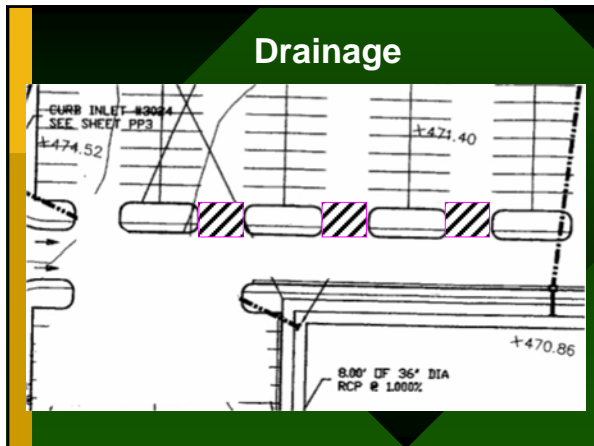
Evaluation Stability – Failed Areas

- Field Evaluation
 - Proof Rolls
 - Test Holes
 - Observation



Evaluation Drainage

- Drainage
- Minimum of 2% Slope for Adequate asphalt drainage. (Same as 1/4"/Foot)



- ### Drainage
- Transitions
 - Edge Keys
 - Manholes
 - Catch Basins

- ### Presentation
- Thorough description of work and work area.
 - Exclusions
 - Soft-Unstable Areas
 - Drainage of areas with insufficient fall.
 - Reflective Cracking
 - Maximum - Minimum

- ### Communication
- Relay CORRECT Info to People who are building the project.
 - Field Markings
 - Paint can say it all.
 - Field Communication with Owner

- ### Construction Practices
- Know your Job
 - Conditions
 - Soft Areas
 - Material Needs
 - Type Material
 - Qty. Material
 - Equipment Needs
 - Size of Pavers and Rollers
 - Trucking (Amt and Route)

Construction Practices

- Know your Job
 - Manpower Needs
 - Extra Labor
 - Flagging
 - Hazards
 - Traffic Protection
 - Pedestrian Routes
 - Overhead Utilities

Construction Practices

- Ensure Equipment is Ready to Go
 - Screed “zeroed” out.
 - Rollers filled.
 - Whackers/tamps available
 - Hot Screed

Construction Practices

- Get A Game Plan
 - How will “pulls” come together.
 - Minimize Joints
 - Where are problems going to occur.
 - Eliminate “half screeds” and overlaps.

Construction Practices

- Keep it Together
 - Stay “pulled up”.
 - Keep the Train Moving
 - Minimize Starts/Stops
 - Don’t run out!

Construction Practices

- Get it While its Hot
 - Joints
 - Handwork Areas
 - Loose Material into Hot Unrolled Mat.



Construction Practices

- Clean up Your Act
 - Leave a Clean Job Site



Construction Practices

- Miscellaneous Items
 - The Devil's in the Details
 - Wedging Works.
 - Get off mat without breaking it down
 - Invert roller marks
 - String your edges.



Close

PAIKY
PLANTMIX ASPHALT INDUSTRY OF KENTUCKY

